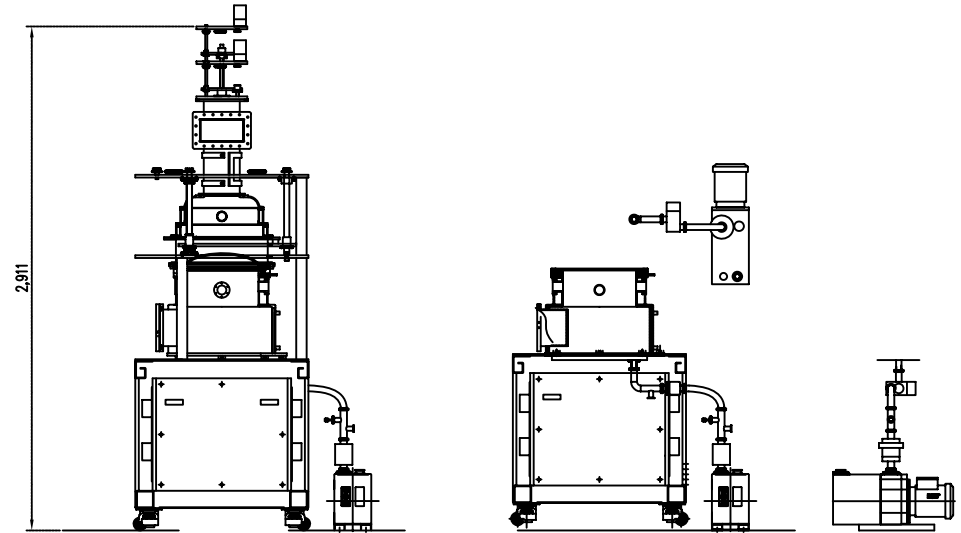
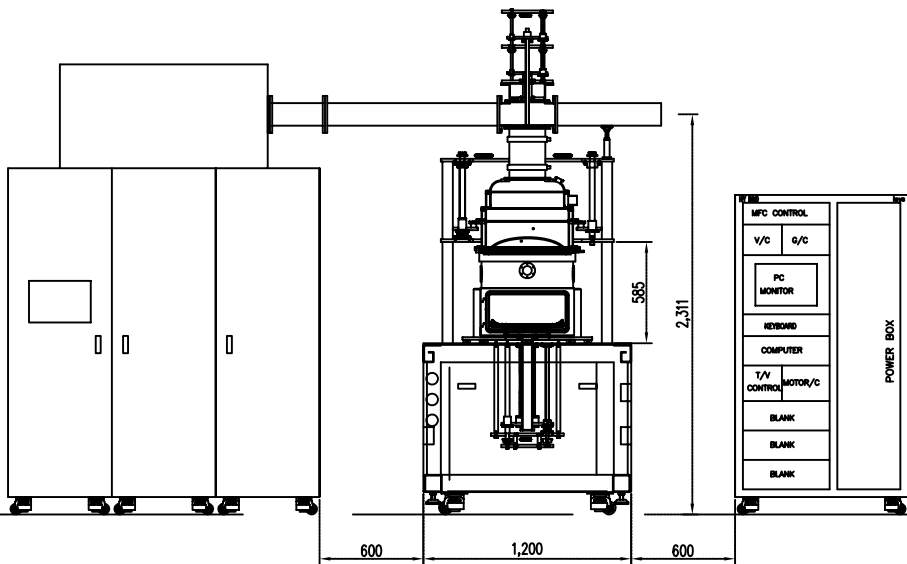
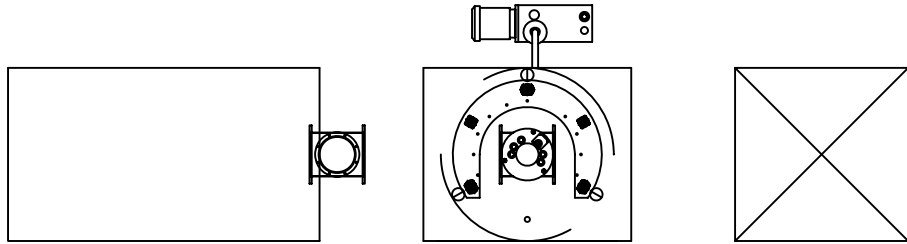


10	9	7B0401001	7	6	5	4	3	2	1
DASH NO	TYPE OR MODEL	NEXT ASSEMBLY							

REQ	PART NO	DESCRIPTION	MATERIAL & SIZE	ITEM
1SET				



1					
REV	DESCRIPTION OF CHANGE	DATE	DRAWN	CHK	REFERENCE DRAWING
	SYS ???? (?)				Micro-wave system
	UNLESS OTHERWISE SPECIFIED: ANGLE ± -				TOTAL ASSEMBLY
	FIN ✓ DEC.: .X ± - .XX ± - .XXX ± -				7B04001
SCALE	None	APPR			DWG.NO.
UNIT	mm	CHECK			7B0401001
DATE	2004.05.25	DRAWN	CHWEE	04.06.01	REVISION
					A
					FILE:
					1
					SHEET NO. 1/1
					SIZE A3

10	9	8	7	6	5	4	3	2	1
----	---	---	---	---	---	---	---	---	---

10	9	8	7	6	5	4	3	2	1
----	---	---	---	---	---	---	---	---	---